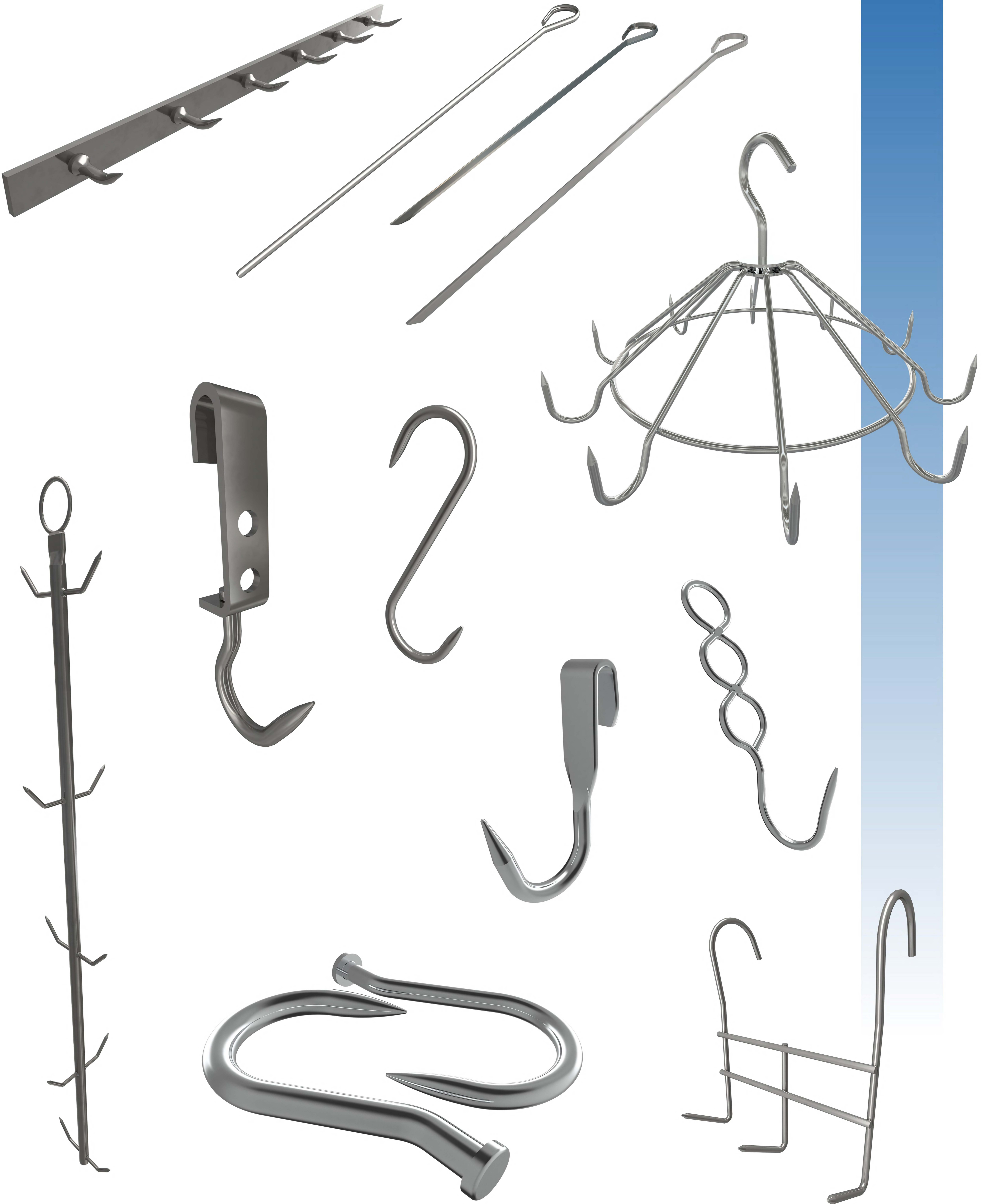


sales@kentmaster.com.au

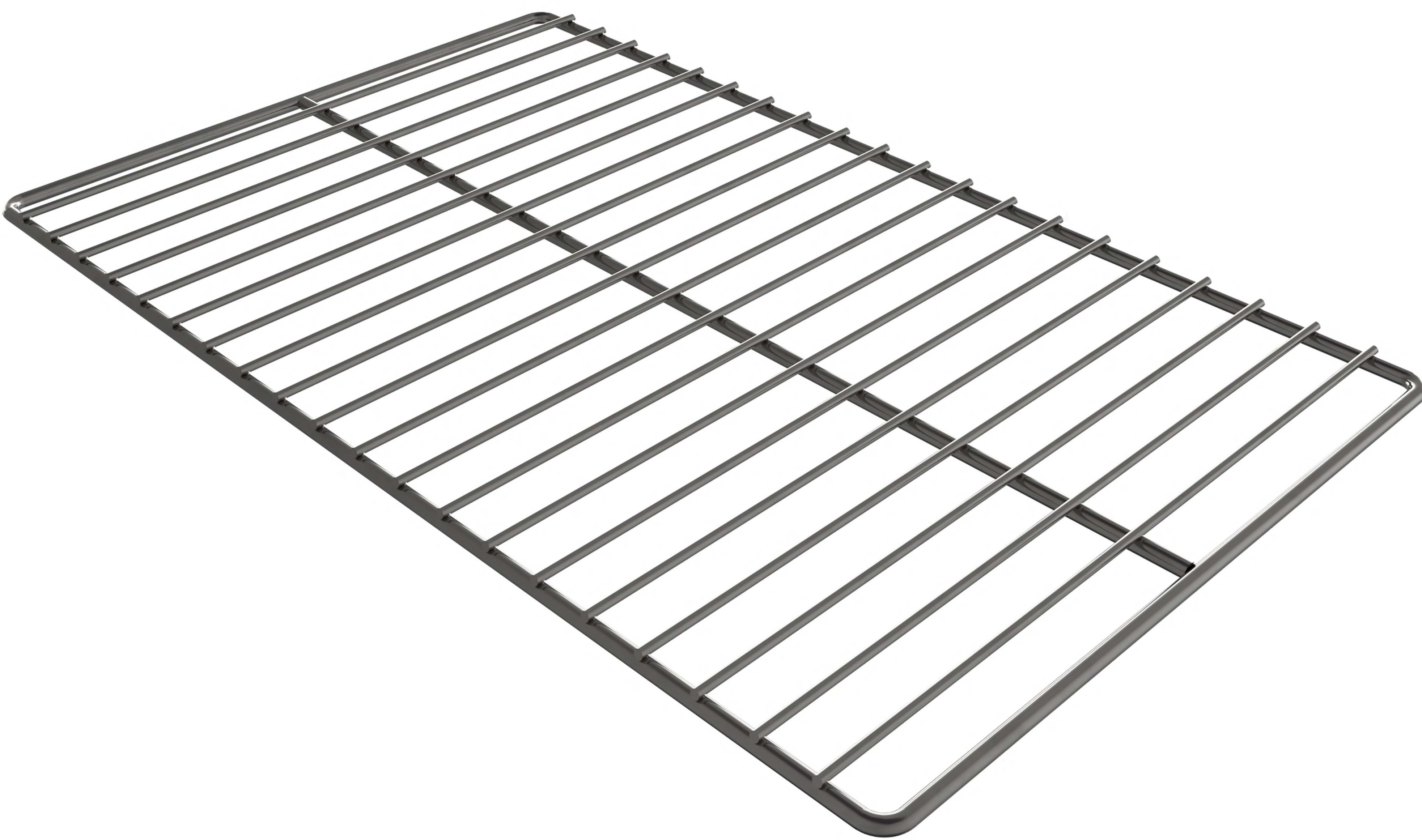
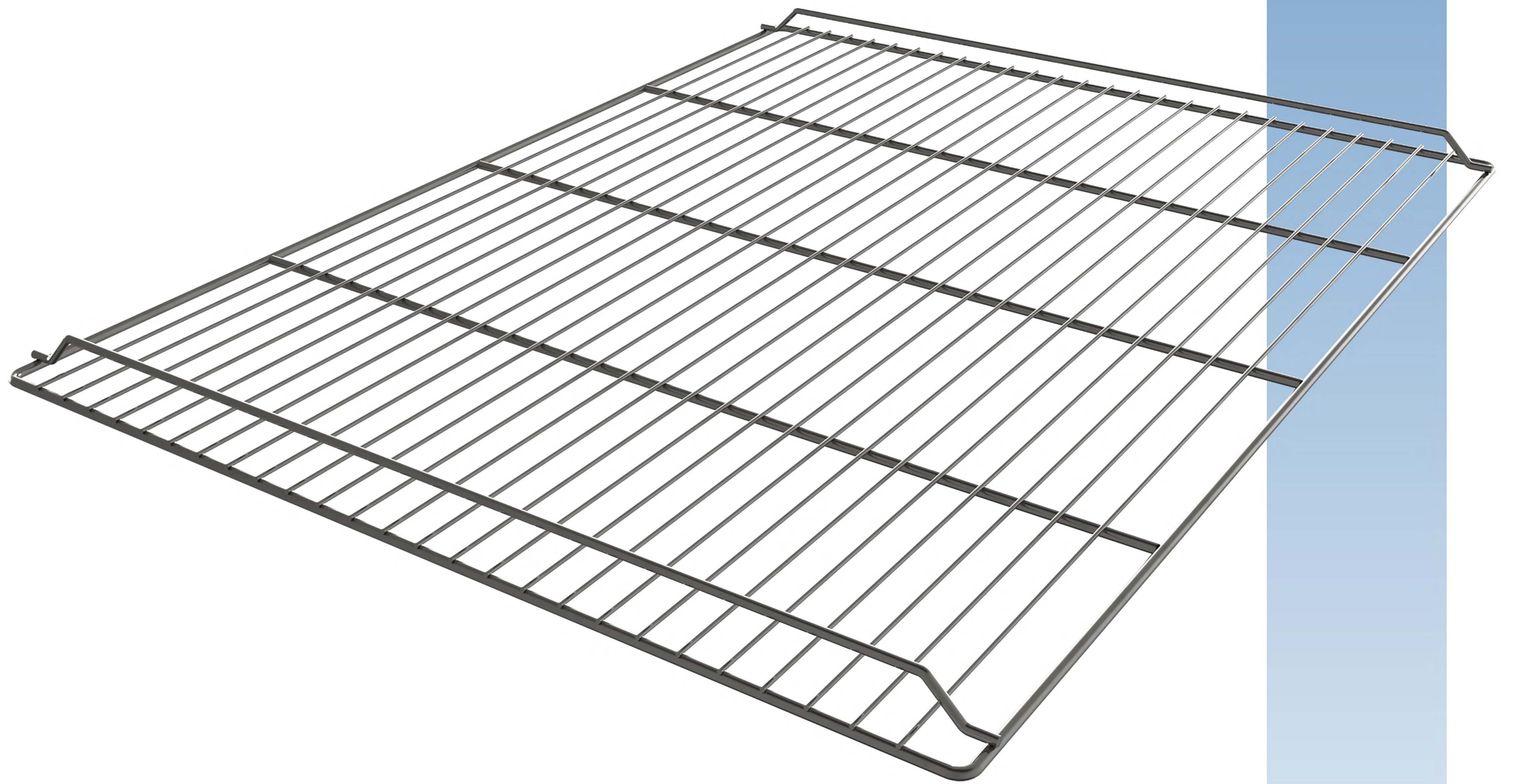
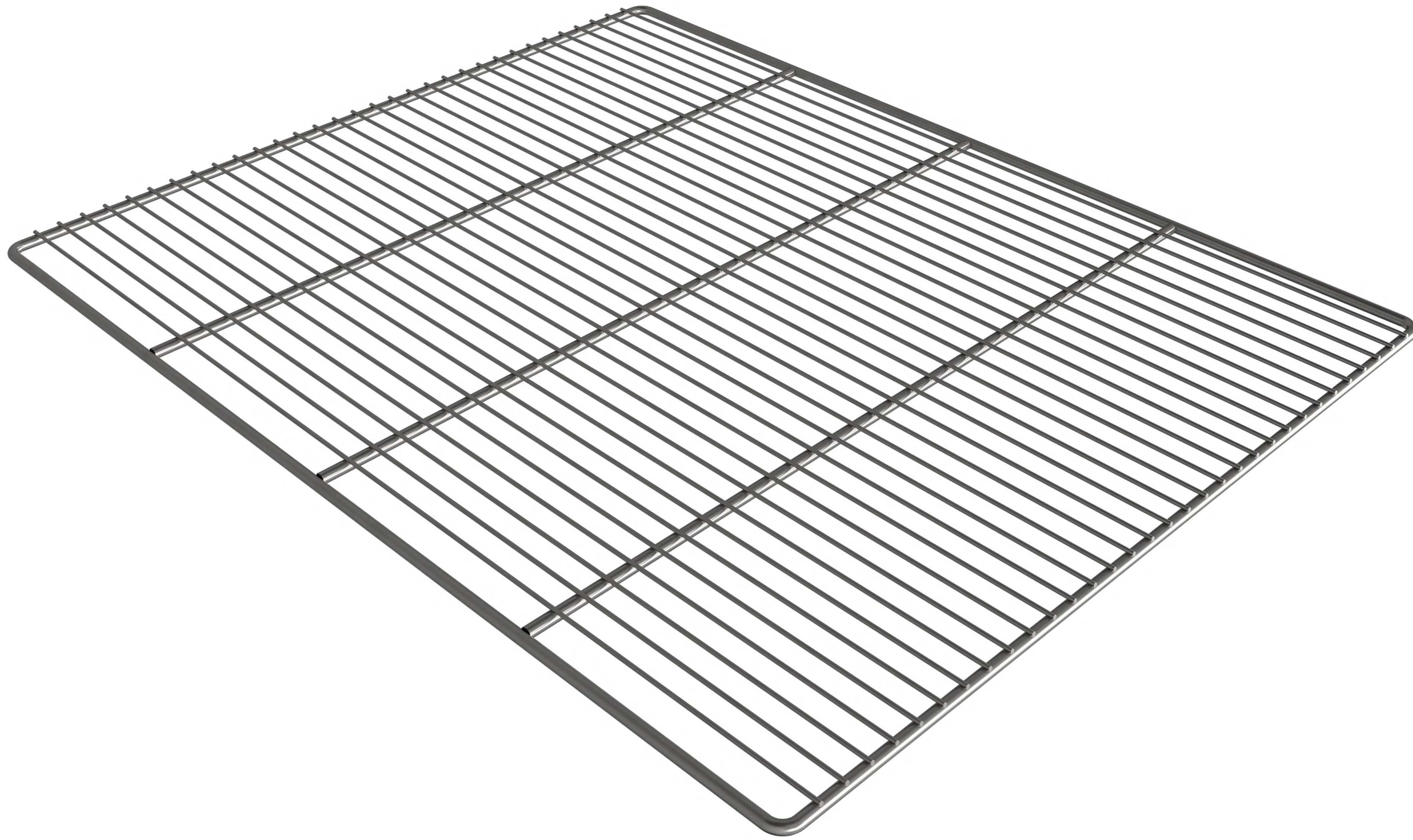
P: 07 3806 8400



MEAT HANGING ACCESSORIES

sales@kentmaster.com.au

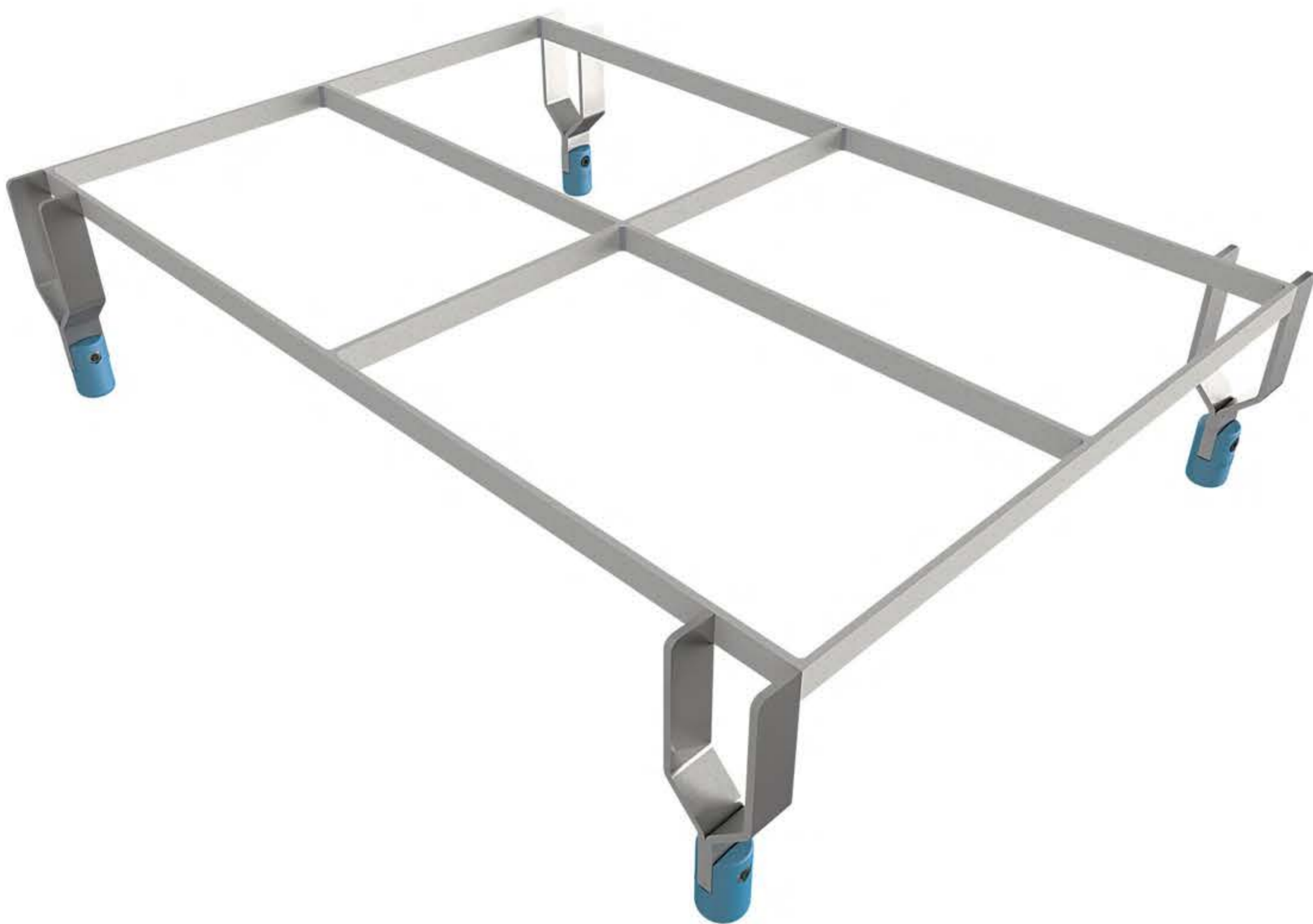
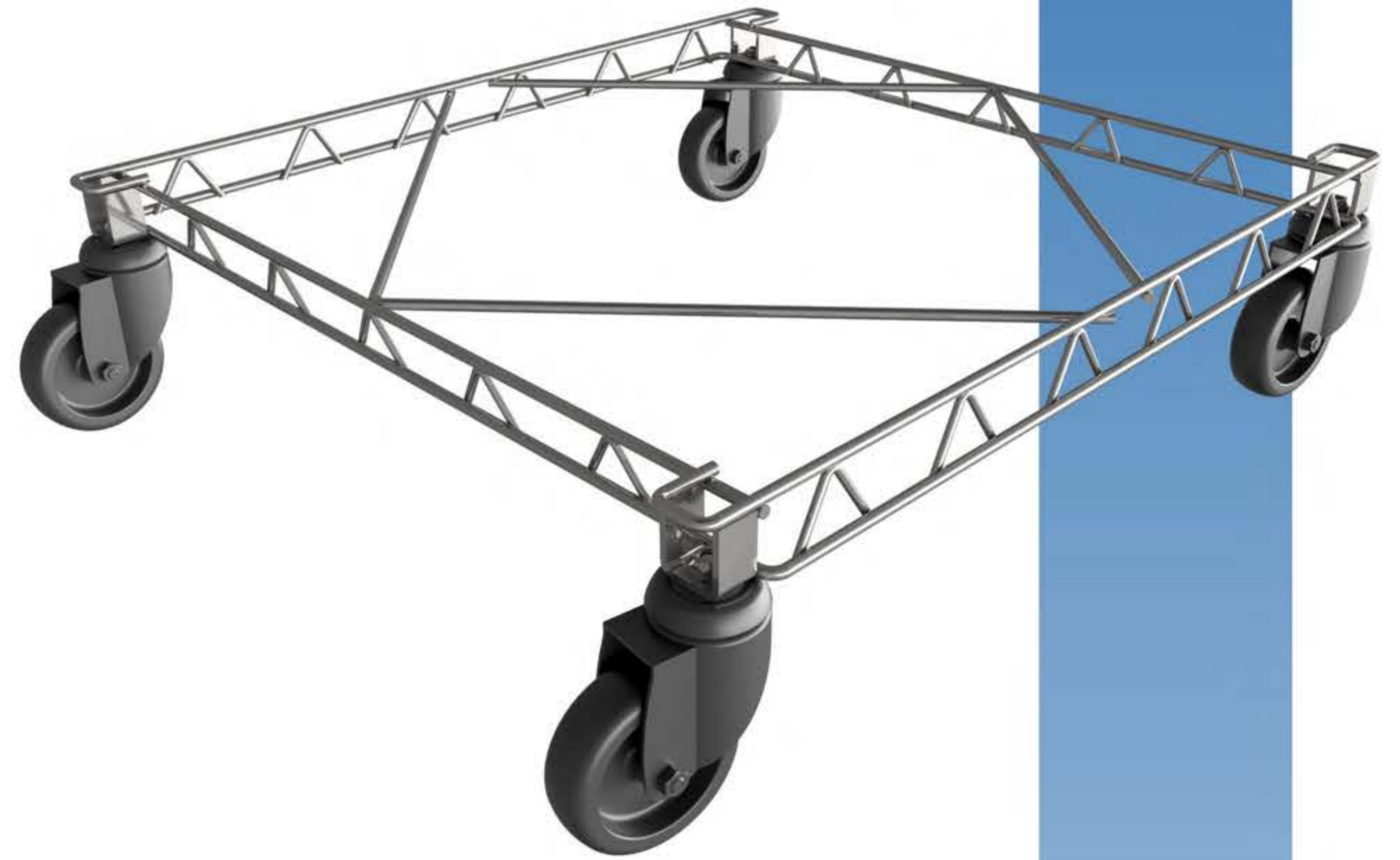
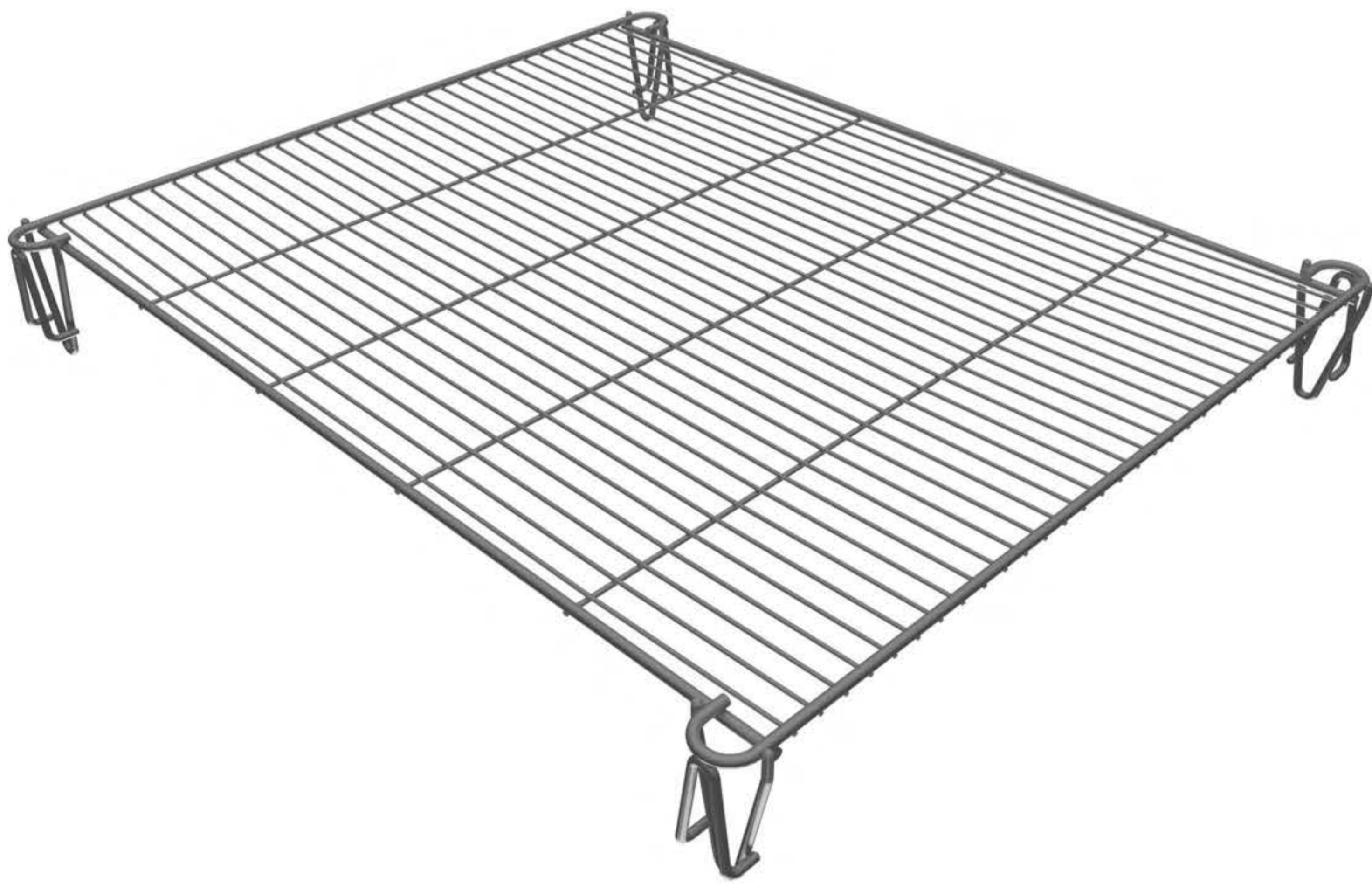
07 3806 8400



STANDARD WIRE SHELVES FOR THE FOOD INDUSTRY

sales@kentmaster.com.au

07 3806 8400



**STAINLESS STEEL RANGE FOR DAIRIES AND CHEESE
FACTORIES**